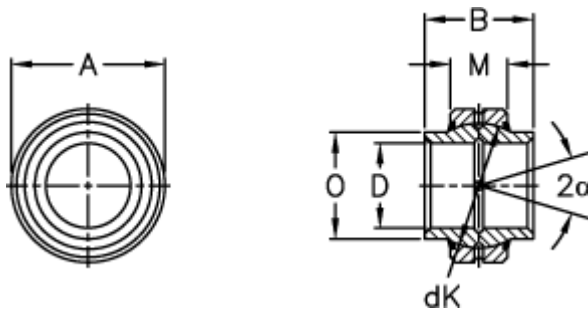


Article number: 03503017

Description: Fluro Rod end GE 17HO-2RS

Measures



A	= 30 0 -0,009	Tilt angle = 3
B	= 21	Weight = 44
D	= 17 0 -0,008	
dK	= 25	
Dynamic load C (kN)	= 21.2	
M	= 10	
O	= 21	
Static load C0 (kN)	= 106	